



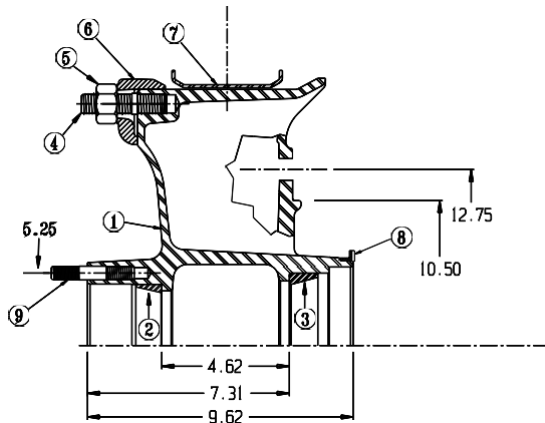
# SERVICE BULLETIN #154

10/23/2018

## 3450 Drive Axle Spoke Wheel

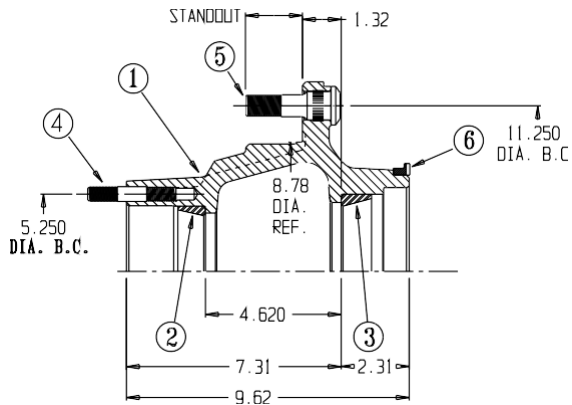
Upon depletion of inventory, the 3450 drive axle spoke wheel will become obsolete with no direct replacement. We do however recommend a replacement: the 10-stud 2614 hub. The 10-stud option does require you to change the hub, drum and a change to disc wheels. This alternative uses the same bearings and seals. If you have any questions, please contact Webb Technical Services via email to [engineering@webbwheel.com](mailto:engineering@webbwheel.com) or call 256-775-7514.

### Obsolete Part



3450 Bill of Material			
Item	Part No.	Description	Qty
1	3450	Drive Wheel 5 Spoke 20"	1
2	39520	Outer Bearing Cup	1
3	47620	Inner Bearing Cup	1
4	171027	Rim Stud	5
5	74710	Hex Nut 3/4 - 10	5
6	16123	Rim Clamp	5
7	42040	Rim Spacer	1
8	51048	ABS Ring	1
9	152030	Drive Stud	12

### Replacement Option



26141--0T Bill of Material			
Item	Part No.	Description	Qty
1	2614F	10/285.75mm Drive Axle Hub	1
2	39520	Outer Bearing Cup	1
3	47620	Inner Bearing Cup	1
4	152030	Drive Stud	12
5	Mounting Studs	Determined at order	10
6	51048	ABS Tone Ring	10

\*\*Mounting studs to be determined at time of order

REPLACEMENT ASSEMBLIES		
Hub Service Assembly	Wheel Type	ABS
26141--0T	BSN Steel or Aluminum Wheels	ABS

\*\*Mounting studs to be determined at time of order

Replacement Drum Numbers	Size
61577B	15.00 x 7.00
66864B	16.50 x 7.00